

COMBINATION WRENCHES - INCH

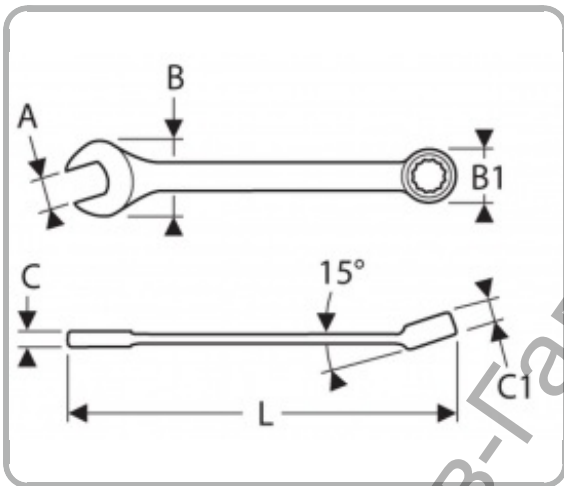


Description :

- ASME B 107-100
- 12-point OGV® ring angled at 15°.
- Open end angled at 15° from handle axis.
- OGV® profile maximizing the contact surface with the nut for a longer lifetime.
- Forged in Chrome Vanadium steel.
- High chrome finish.

Conditioning :

1



References :

| | EAN | A ["] | B [mm] | B1 [mm] | C [mm] | C1 [mm] | L [mm] | [g] |
|----------------|---------------|--------|--------|---------|--------|---------|--------|------|
| E110201 | 3258951102015 | 1"5/16 | 68.7 | 49.3 | 11.5 | 17.2 | 380 | 632 |
| E110202 | 3258951102022 | 1"3/8 | 73 | 53.4 | 13 | 18.2 | 410 | 806 |
| E110203 | 3258951102039 | 1"7/16 | 73 | 53.4 | 13 | 18.2 | 410 | 804 |
| E110204 | 3258951102046 | 1"1/2 | 76 | 56.5 | 14.5 | 19 | 430 | 992 |
| E110205 | 3258951102053 | 1"5/8 | 83.5 | 61.5 | 15.5 | 20 | 480 | 1264 |
| E110206 | 3258951102060 | 1"7/8 | 101.5 | 73.5 | 17.2 | 22.6 | 540 | 2110 |
| E113230 | 3258951132302 | 5/16" | 20.2 | 13.2 | 4 | 5 | 120 | 26 |
| E113235 | 3258951132357 | 15/16" | 50.7 | 35 | 8 | 12.9 | 280 | 293 |

| | | | | | | | | |
|-----------------------|---------------|--------|------|------|------|------|-----|-----|
| <u>E113236</u> | 3258951132364 | 1" | 52.7 | 38 | 8 | 13.4 | 295 | 328 |
| <u>E113312</u> | 3258951133125 | 1/4" | 16.2 | 10.4 | 3.7 | 4.5 | 100 | 15 |
| <u>E113313</u> | 3258951133132 | 11/32" | 22.2 | 14.6 | 4 | 6 | 130 | 30 |
| <u>E113314</u> | 3258951133149 | 3/8" | 23.7 | 16 | 4 | 6.5 | 140 | 38 |
| <u>E113315</u> | 3258951133156 | 7/16" | 25.7 | 17 | 4.7 | 6.5 | 150 | 46 |
| <u>E113316</u> | 3258951133163 | 1/2" | 28.7 | 20.6 | 5.5 | 7.5 | 170 | 68 |
| <u>E113317</u> | 3258951133170 | 9/16" | 31.7 | 22 | 5.6 | 8 | 180 | 79 |
| <u>E113318</u> | 3258951133187 | 5/8" | 36 | 24.8 | 5.8 | 9 | 200 | 110 |
| <u>E113319</u> | 3258951133194 | 11/16" | 38.5 | 26.2 | 6.3 | 9.5 | 210 | 141 |
| <u>E113358</u> | 3258951133583 | 3/4" | 42.2 | 29 | 7.1 | 10.4 | 230 | 150 |
| <u>E113359</u> | 3258951133590 | 13/16" | 45.5 | 31.7 | 7.5 | 11.4 | 250 | 194 |
| <u>E113360</u> | 3258951133606 | 7/8" | 48.7 | 33 | 8 | 11.9 | 260 | 225 |
| <u>E113361</u> | 3258951133613 | 1"1/16 | 56.2 | 40 | 8.9 | 14.4 | 310 | 386 |
| <u>E113362</u> | 3258951133620 | 1"1/8 | 60.2 | 44.6 | 9 | 15.9 | 340 | 503 |
| <u>E113363</u> | 3258951133637 | 1"1/4 | 64.7 | 47.3 | 10.6 | 16 | 360 | 602 |

Ташев-Галвинг ООД
www.tashev-galving.com